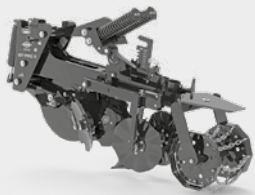




Strip Tillage
GLADIATOR® 1210



GLADIATOR® 1210 | 1210C | 1210M

PRECISION NUTRIENT AND SEEDBED MANAGEMENT

THE KUHN KRAUSE GLADIATOR® 1210 PULL-TYPE STRIP-TILLAGE SYSTEM OFFERS ON-ROW CONSERVATION TILLAGE, PRECISE NUTRIENT PLACEMENT AND NON-STOP SEEDBED CONDITIONING TO HELP PROGRESSIVE PRODUCERS MANAGE INPUT COSTS. THE INNOVATIVE FIXED-FRAME TOOLBAR AND ST-PRO™ II ROW UNITS CONTOUR TO THE GROUND'S SURFACE CONDITIONS ALLOWING THE SHANKS TO CONSISTENTLY OPERATE AT YOUR PREDETERMINED DEPTH. A VARIETY OF DRY AND/OR LIQUID FERTILIZER OPTIONS ARE AVAILABLE. THIS IS MORE THAN JUST STRIP-TILL, THIS IS PRECISION NUTRIENT AND SEEDBED MANAGEMENT.

CHALLENGES IN STRIP-TILL TODAY

Larger farms, greater crop variety, tougher residue, soil erosion; today's strip-tillers face many challenges. Finding the right tool to meet these challenges while preserving efficiency and profit is tough, but Kuhn Krause provides solutions.

THE GLADIATOR SOLUTION

Designed to meet these challenges, the Gladiator 1210 is the industry leading precision tillage system that produces the perfect seedbed, whatever the conditions. Choose from a variety of fertilizer solutions to ensure the best nutrient plan for your operation.

ST-PRO™ II VALUE

The row unit is the heart of the machine. ST-PRO II row units are easily adjusted without tools in a matter of minutes, allowing them to be quickly set-up to suit field conditions and ensuring continued superior strip formation from field to field. ST-PRO II row units have no grease zerks and require no daily maintenance saving time and increasing productivity.



Models	No. of Rows	Row Spacing (cm)	Working Width (m)
3-Point Mounted			
1210M-430	4	30" (76.2 cm)	10' (3.1 m)
1210M-630	6	30" (76.2 cm)	15' (4.6 m)
1210M-830R	8	30" (76.2 cm)	20' (6.1 m)
1210M-830F	8	30" (76.2 cm)	20' (6.1 m)
1210M-1230	12	30" (76.2 cm)	30' (9.1 m)
1210M-1630	16	30" (76.2 cm)	40' (12.2 m)
1210M-436	4	36" (91.4 cm)	12' (3.7 m)
1210M-636	6	36" (91.4 cm)	18' (5.5 m)
1210M-836R	8	36" (91.4 cm)	24' (7.3 m)
1210M-836F	8	36" (91.4 cm)	24' (7.3 m)
1210M-1236	12	36" (91.4 cm)	36' (11 m)
1210M-438	4	38" (96.5 cm)	12'8" (3.9 m)
1210M-638	6	38" (96.5 cm)	19' (5.8 m)
1210M-838R	8	38" (96.5 cm)	25'4" (7.7 m)
1210M-838F	8	38" (96.5 cm)	25'4" (7.7 m)
1210M-1238	12	38" (96.5 cm)	38' (11.6 m)
1210M-440	4	40" (101.6 cm)	13'4" (4.1 m)
1210M-640	6	40" (101.6 cm)	20' (6.1 m)
1210M-840R	8	40" (101.6 cm)	26'8" (8.1 m)
1210M-840F	8	40" (101.6 cm)	26'8" (8.1 m)
1210M-1240	12	40" (101.6 cm)	40' (12.2 m)
Pull-Type			
1210-830	8	30" (76.2 cm)	20' (6.1 m)
1210-1230	12	30" (76.2 cm)	30' (9.1 m)
1210-1630	16	30" (76.2 cm)	40' (12.2 m)

Summary

Anatomy of a Gladiator 4-5

ST-PRO™ II Row Unit..... 6-7

Fertilizer Solutions..... 8-9

Wear Parts and Maintenance 10

Additional Features and Specifications 12-15

ANATOMY OF A GLADIATOR® STRIP-TILL SEEDBED

The Berm

Creating a good berm in the fall is essential to ensure that, as the strip settles over winter, it does not form a gully which will channel water off the field washing away valuable soil and nutrients. Building a berm in the spring in areas where fields are prone to water-logging or flooding is also beneficial as a raised berm dries out faster than the surrounding field. Planting can take place sooner and the warmer seedbed allows for quicker germination.

Starter Zone

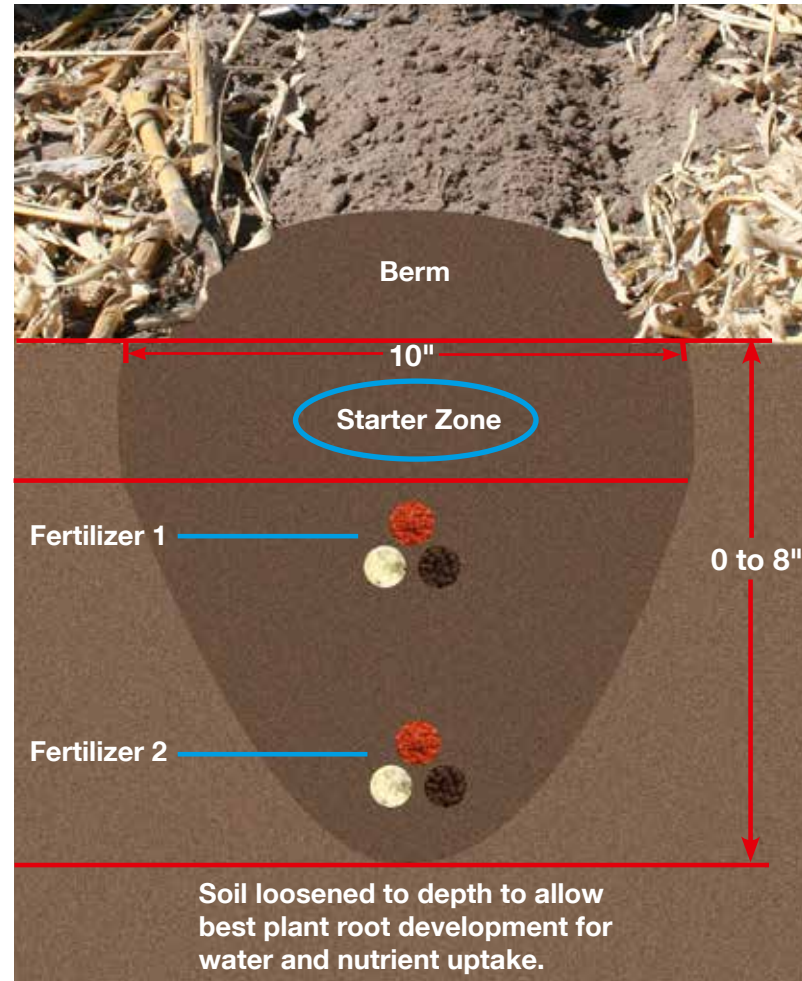
Starter fertilizer applied shallow in the profile to provide nutrients right at germination. This fertilizer may be applied in a separate operation (i.e. with the planter at seeding) or with the Gladiator instead of zone 1 or 2.

Fertilizer Zone 1

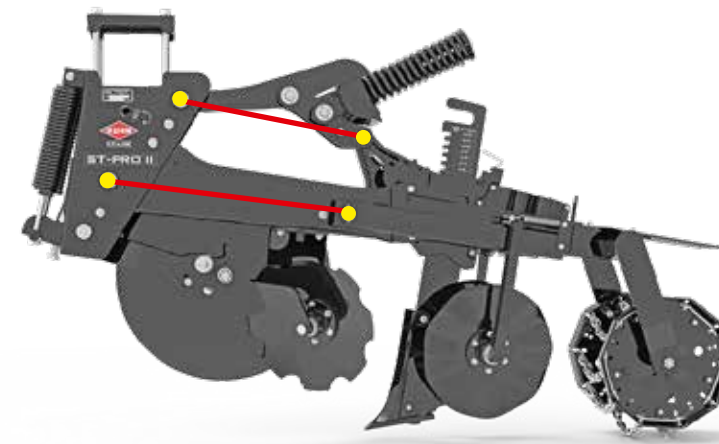
A slightly shallower fertilizer placement for dry or liquid which will be more quickly reached by the plant roots.

Fertilizer Zone 2

Deep placed fertilizer such as dry or anhydrous ammonia which needs to be well sealed in the soil or placed farther from the seed to ensure roots have matured before contact so as to prevent burn.



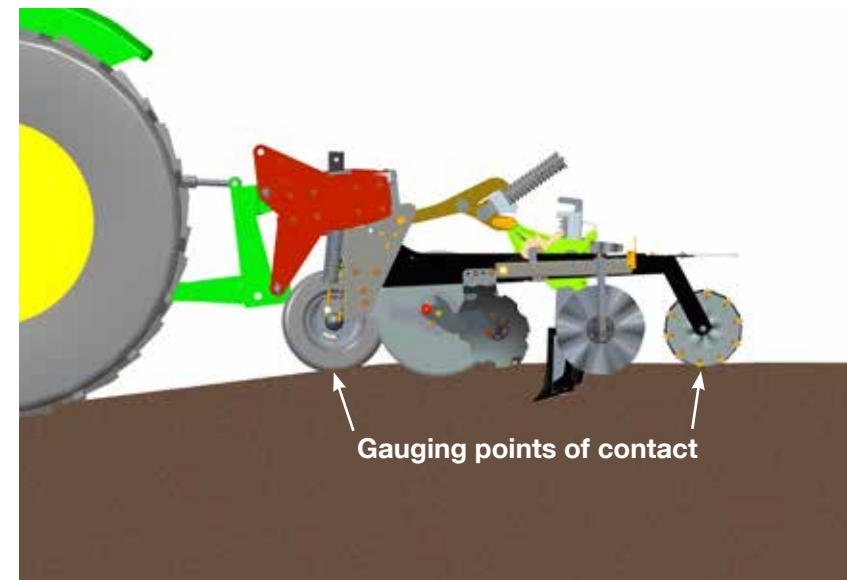
CONSISTENT DEPTH OVER CONTOURS



ST-PRO™ II Row Unit Parallel Linkage

Unique parallel linkage remains parallel to the ground as opposed to other styles which remain parallel to the toolbar.

- Depth controlled from rear reel via parallel linkage
- Coulter works independently and cannot affect shank depth through residue build-up



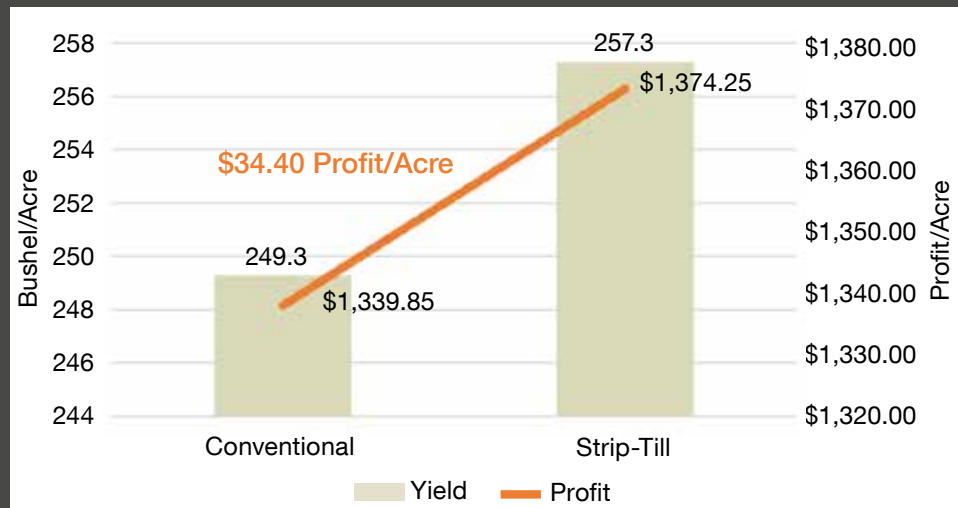
ST-PRO II Row Unit Depth

Row unit depth is gauged between the reel at the rear and the gauge wheels at the front of the toolbar. The parallel linkage ensures that depth is accurate and that the row unit remains parallel to the ground regardless of tractor position. The coulter moves independently of the rest of the row unit, allowing it to constantly seek the depth required to cut through residue. In very heavy residue or hard conditions, coulter position will not affect the depth of the rest of the row unit.

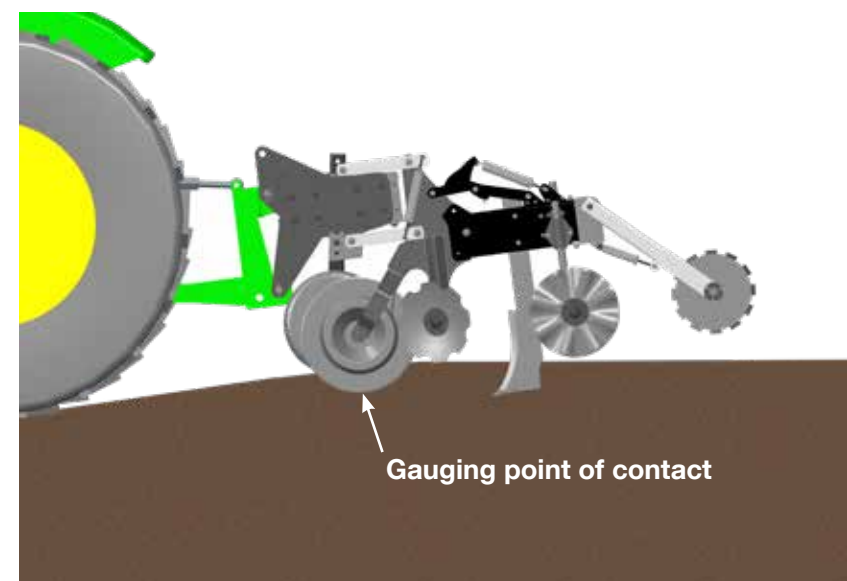
OVER \$34,000 POTENTIAL PROFIT INCREASE PER 1,000 ACRES WITH BANDED FERTILIZER PLACEMENT VS. BROADCAST

Establishment Cost/Acre

		Cost
Conventional	Soil Finisher	\$11.10
	Plant	\$17.20
	Fertilizer Spread	\$3.00
	Total	\$31.30
Strip-Till	Strip and Fertilizer	\$17.30
	Plant	\$17.20
	Burndown	\$6.40
	Total	\$40.90



Corn price: \$5.50 / bu
Source: PTI Farm Results, 2021



Competitive Row Units Using Depth Band on Coulter

Where a depth band on the coulter is used to gauge depth, anytime the coulter does not achieve full penetration (i.e. in heavy residue or in hard conditions) the working depth of the whole row unit is compromised. The same will be the case should soil or residue build up on the depth band. With depth being gauged only from the front, the row unit will remain parallel to the toolbar (rather than the ground). The diagram shows the effect of this on the row unit as the tractor is pitched forwards while descending a slope.

ST-PRO™ II ROW UNITS

Designed for tough residue situations, the ST-PRO II row units develop a uniform, residue-free strip with precise, consistent tillage depth control. ST-PRO II row units require no daily maintenance and no wrenches are needed to make adjustments.

COULTER

- 25" independent coulters offer continuous residue cutting
- Adjustable down pressure from 460 pounds to 660 pounds
- Adjustable coulters scrapers remove sticky soil from the coulters blade

FLOATING ROW CLEANERS

- Floating 16" notched disc blades consistently clear residue from the strip
- Automatically adjusts to the contour of the field eliminating the need for field to field adjustment
- Weights can be added or removed to ensure consistent residue management and flow

SHANK

- Wrench-free depth adjustment
- Remove root zone compaction
- Promote water infiltration, deep root growth and early seedling development
- Optimize nutrient placement in the field
- Shank depth range of 6" to 12" in 1" increments

DROP ZONE™ NUTRIENT PLACEMENT SYSTEM

- Flexibility to adjust fertilizer placement depths from field to field
- Fertilizer placement range is 5" to 11" deep with a minimum of 1.5" between products dependent on product configuration (liquid, dry or gas)
- Adjust fertilizer depth independent of shank operating depth

FLOATING CLOSING BLADES

- Closing blades float, automatically adjusting to soil and residue conditions while capturing loosened soil to create a uniform berm
- For tough soil conditions, closing blades have a limited float setting and an easy to adjust angle setting of 2°, 10° or 18°
- Choose 18" wavy coulters blades for non-rocky conditions or 16" notched reverse disc blades for continuous operation in rocky fields

STRIK'R® NONSTOP SOIL CONDITIONER

- Patented chain reel technology to break clods without destroying the berm
- 18" reel with 10 individual chain sections
- Chains shed wet soil and residue, achieving a uniform seedbed without plugging



FERTILIZER SOLUTIONS

PRECISION NUTRIENT MANAGEMENT

The Gladiator® product line features one of the most complete fertilizer application offerings in the industry. These systems are easy to operate and provide precision nutrient placement options for growers with the desire to apply dry or liquid fertilizer with or without anhydrous ammonia.



Gladiator 1210 pull-type models are all available with either 6-ton or 9-ton dry fertilizer tanks or a 1,000 gallon liquid tank mounted on the chassis.

Gladiator 1210M 3-point mounted models are available with either 1,700 gallon or 9-ton (8- to 16-row models) and 1,200 gallon or 6-ton (6- to 16-row models) tanks mounted on steerable carts and pulled behind the toolbar.



TRAIL HITCH FOR ANHYDROUS

Gladiator 1210M and 1210 pull-type models are available with a trail hitch, typically used for towing an anhydrous cart. All hitches feature an extendable tongue allowing the operator to position the Gladiator close to the cart and then maneuver the trail hitch to make the connection. A strap and winch is also fitted to assist with lifting the tongue of the anhydrous cart. Trail hitches are also available on Montag steerable carts for maximum fertilizer flexibility.



THE MONTAG SYSTEM

Montag dry fertilizer systems are designed so that the fertilizer for each row is metered separately. Only in this fashion can consistency across the machine be ensured. An air release is used close to the row unit to disperse air and prevent fertilizer from being blown forcefully down into the strip and bouncing out. Diffusing the air also prevents back-pressure building up in the hoses which would lead to blockages and inaccurate application rates.



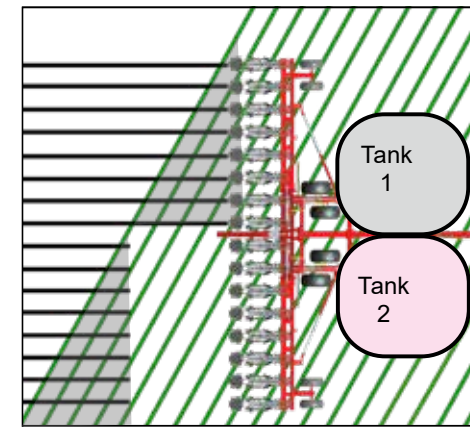
MONTAG STEERABLE CART

When trailing a tank behind a mounted strip-till toolbar it is imperative that the tires remain in the zones between strips. The Montag steerable cart uses a double ball linkage to ensure that not only do the tires remain between the strips in the field, but that they also line up following turns on end rows so that no part of the strip is driven on.



MONTAG GEN II

Any Gladiator which may be fitted with a 9-ton dry fertilizer hopper may be equipped with the Montag Gen II system. Two 4.5-ton tanks allows the operator to blend two different types of fertilizer together for placement in the strip. Although a different design compared to the single tank system, metering still takes place on a per row basis to ensure consistent application rate across the width of the machine. Rates of the two fertilizer products are controlled independently for total control.



VARIABLE RATE & SECTION CONTROL

The Montag Gen II twin tank system is compatible with GPS variable rate and section control*. Use your mapping system to automatically vary the rate of either fertilizer product as you work the field. Minimize over application and waste at point rows by dividing the machine into sections and letting the GPS switch off either half of the machine automatically.

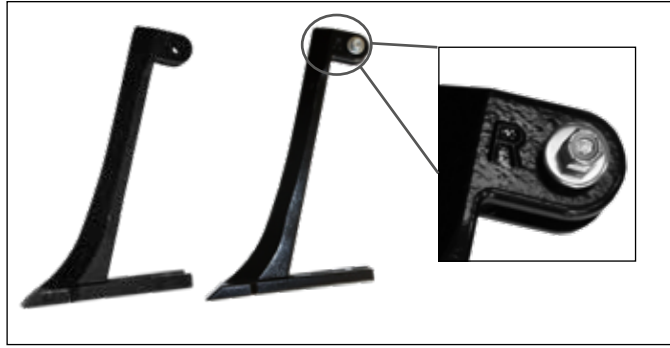
*Compatible control system required for full functionality.



FERTILIZER BLOCKAGE MONITOR

Fertilizer hose blockages waste expensive nutrients and jeopardize your crop. Wireless blockage monitors alert you the moment a blockage occurs. Discreet in cab monitor provides an audible alarm and tells you which row is blocked. Monitor offers wireless technology for quick and easy installation.

WEAR PARTS AND MAINTENANCE



POINTS

Choose the appropriate point for your working conditions. Both points are mounted to the shank using a single bolt for quick and easy removal when replacing.

Chromium carbide points give the longest wear life in abrasive soils. The special alloy and heat treatment used to make the points provides a great trade-off between wear life and resistance to breakage compared to a straight chrome carbide material. The exact chemistry used in these points is specified by Kuhn Krause and is not available to aftermarket parts suppliers.

Austempered rock points are available for use in very rocky conditions where the chromium carbide points may still be susceptible to damage from frequent contact with obstacles. In such conditions, the rock points are more resistant to breakage or chipping. Rock points are easily identified by the "R" cast into the top of the point.



EASILY REPLACE WEAR-PARTS

The flip-fold toolbar on pull-type Gladiator 1210 models conveniently positions row units for wear-part replacement.



DOUBLE K® SIDE PLATES

Two styles of side plates are available according to the fertilizer being used. Side plates and points can be removed independently of one another for fast servicing.



NH3/Liquid Fertilizer Side Plates

- Northeast Kansas
- Previous side plate replaced after 1,802 acres
- Double K® side plate examined after 5,998 acres with wear life remaining
- Full working life estimated to be approximately 7,000 acres
- 288% increase in wear life

Dry Fertilizer Side Plates

- Northwest Texas
- Previous side plate replaced after 2,076 acres
- Double K® side plate examined after 4,521 acres with wear life remaining
- Full working life estimated to be approximately 5,500 acres
- 165% increase in wear life



BEARINGS AND BUSHINGS ON ROW UNIT

Pivot points are fitted with PolyLube® bushings. No grease zerks on the row unit means no daily maintenance. The same triple lip sealed bearing is used on all rotating components throughout the row unit.



Technical Specifications		SHEAR-BOLT	SPRING RESET
Weight		670 lb (304 kg)	740 lb (336 kg)
Standard Equipment			
Frame Type	Integral 4-Bar Link Design with Spring Reset		
Coulter	25", 6 Gauge		
Row Cleaners	Floating 16" Notched Disc Blades		
Shanks	5/8" x 4-7/16" Adjustable 6" to 12" Depth		
Berm Conditioner	STRIK'R® Soil Conditioner		
Points	2" Rock Point with Shank Wear Bar and Steel Side Plates		
Closing Blades	16" Wavy Coulter Blades, Adjustable Angle (2, 10, 18 Degrees)		
Optional Equipment			
Frame Type	Integral 4-Bar Link Design with Shear-Bolt		
Points	2" Chromium Carbide with Shank Wear Bar, 2" Rock Point with Shank Wear Bar Adapter without NH3 Style Knives		
DROP ZONE™ Nutrient Placement System	3/8" Liquid - Stainless Steel, 3/8" NH3 - Stainless Steel, 1-1/2" Dry Tube - Stainless Steel		
Closing Blades	16" Notched Reversed Disc Blades, Adjustable Angle (2, 10, 18 Degrees)		

For more machine specifications, please visit www.kuhn.com



GENUINE KUHN PARTS®

No part better fits a KUH N machine than an original KUH N part

With KUH N Parts, you can be assured of the highest quality parts and customer service in the agriculture equipment industry. Seven distribution centers, located strategically throughout North America, ensure that KUH N, KUH N Knight and KUH N Krause dealers have access to parts and assistance so you can get back in the tractor.

GLADIATOR® 1210

Technical Specifications

	1210-830	1210-1230	1210-1630
Transport Width (ft/m)	12'4" (3.7 m)	17'7" (5.4 m)	
Transport Height (ft/m)	9'5" (2.9 m)	11'6" (3.5 m)	
Frame Type	Folding		
Number of Row Units	8	12	16
Row Spacing (in/cm)	30" (76 cm)		
Working Width (ft/m)	20' (6.1 m)	30' (9.1 m)	40' (12.2 m)
Weight (lb/kg)	15,412 lbs (6 991 kg)	20,685 lbs (9 374 kg)	24,312 lbs (11 030 kg)
Standard Equipment			
Hitch Type	Power Pin AB Hitch	Power Pin AB Hitch	Power Pin AB Hitch
Depth Control	Fixed Frame with Adjustable Shanks	Fixed Frame with Adjustable Shanks	Fixed Frame with Adjustable Shanks
Tire/Wheels	Main Frame: Walking Tandem 445 Metric, 10-Bolt Hub Wing Frame: 12-Row 280 Metric Single on Each Wing / 16-Row 280 Metric Duals on each Wing Replaceable Spindles		
Transport Locks and Safety	Hydraulic Valves, Transport and Wind Fold, Slow Moving Vehicle Sign, Height Visibility LED Lighting		
Optional Equipment			
Liquid Fertilizer	1,000 Gallon Liquid Tank, Saddles and Wash Station		
Dry Fertilizer	6-Ton or 9-Ton Dry Fertilizer System from Montag Manufacturing		
Rear Hitch	Liquid or NH, Nurse Cart		
Operation			
Recommended Operating Speed	5 - 8 mph (8 - 13 km/h)		
Recommended Operating Depth	6" - 12" (15.2 - 30.5 cm)		
Recommended Tractor Power Range	23 - 30 ENG HP/Row (17 - 22 kW/Row)		

For more machine specifications, please visit www.kuhn.com

GLADIATOR® 1210 PULL-TYPE ADDITIONAL FEATURES



ARTICULATING BALL HITCH

Gladiator 1210 pull-type models feature CAT III or CAT IV articulating ball Power Pin hitches reducing wear on the tractor drawbar.



TRANSPORT ADVANTAGE

Changing from field operation to transport is quick and easy. The durable, fixed frame design with flip and fold toolbar, provides balanced, safe transport.



WING GAUGE WHEEL

The front gauge wheel provides stabilization of the row unit. New metric tires with improved rubber compound offer increased stubble resistance.



MAINFRAME AND WHEELS

The mainframe features 440 metric tires on 10-bolt hubs in addition to 1/2" wall thickness on the tongue box section to support the 9-ton fertilizer tank.



REAR HITCH

This option allows customers to pull nurse carts for liquid or anhydrous fertilizer. With an extendable tongue and attached winch, one person can easily connect nurse carts.

GLADIATOR® 1210C

The Gladiator 1210C offers a configurable, rigid toolbar for customers requiring a row unit/row spacing combination that is not offered within the current Gladiator 1205M range. This model will be particularly useful for growers looking for strip-till equipment to suit crops frequently grown on "non-traditional" spacing's (i.e. hemp on 60"). Three different toolbar lengths are available and can be equipped with 2 – 8 rows (depending on toolbar length).



Technical Specifications

	GLADIATOR 1210C-139	GLADIATOR 1210C-221	GLADIATOR 1210C-301
Transport Height	6'5" (2 m)	6'5" (2 m)	6'5" (2 m)
Transport Width	11'11" (3.7 m)	11'11" (3.7 m)	11'11" (3.7 m)
Frame Type	Rigid	Rigid	Rigid
Number of Row Units	2	2	2
Row Spacing	27.6" (70 cm)	27.6" (70 cm)	27.6" (70 cm)
Approximate Weight (incl. 2 Row Units)	3,243 lb (1 471 kg)	3,243 lb (1 471 kg)	3,243 lb (1 471 kg)
Additional Weight per Row Unit	780 lb (354 kg)	780 lb (354 kg)	780 lb (354 kg)
Standard Equipment			
Hitch Type	CAT 3 / CAT 3N		
Frame Type	3-PT Mounted, 7" x 7" Double Beam Toolbar Frame		
Depth Control	Fixed Frame with Adjustable Shanks		
Gauge Wheels	(2) Adjustable 20.5 x 8" Load Range E		
Transport Locks and Safety	Slow Moving Vehicle Sign, Transport Light Kit		
Operation			
Recommended Operating Speed	5 - 8 mph (8 - 13 km/h)		
Recommended Working Depth	6" - 12" (15.2 - 30.5 cm)		
Recommended Tractor Power	23 - 30 ENG HP/Row (17 - 22 kW/Row)		

For more machine specifications, please visit www.kuhn.com

		Toolbar Selection Chart							
		Number Rows							
Row Spacing		2	3	4	5	6	7	8	
	30	1210C-139	1210C-139	1210C-139	1210C-221	1210C-221	1210C-301	1210C-301	
	32	1210C-139	1210C-139	1210C-139	1210C-221	1210C-221	1210C-301	1210C-301	
	34	1210C-139	1210C-139	1210C-139	1210C-221	1210C-221	1210C-301	1210C-301	
	36	1210C-139	1210C-139	1210C-139	1210C-221	1210C-221	1210C-301	1210C-301	
	38	1210C-139	1210C-139	1210C-139	1210C-221	1210C-301	1210C-301	1210C-301	
	40	1210C-139	1210C-139	1210C-139	1210C-221	1210C-301	1210C-301	1210C-301	
	42	1210C-139	1210C-139	1210C-139	1210C-221	1210C-301	1210C-301	1210C-301	N/A
	44	1210C-139	1210C-139	1210C-221	1210C-221	1210C-301	1210C-301	1210C-301	N/A
	46	1210C-139	1210C-139	1210C-221	1210C-221	1210C-301	1210C-301	1210C-301	N/A
	48	1210C-139	1210C-139	1210C-221	1210C-301	1210C-301	1210C-301	1210C-301	N/A
	50	1210C-139	1210C-139	1210C-221	1210C-301	1210C-301	1210C-301	1210C-301	N/A
	52	1210C-139	1210C-139	1210C-221	1210C-301	1210C-301	1210C-301	1210C-301	N/A
	54	1210C-139	1210C-139	1210C-221	1210C-301	1210C-301	N/A	N/A	N/A
	56	1210C-139	1210C-139	1210C-221	1210C-301	1210C-301	N/A	N/A	N/A
	58	1210C-139	1210C-139	1210C-221	1210C-301	N/A	N/A	N/A	N/A
60	1210C-139	1210C-139	1210C-221	1210C-301	N/A	N/A	N/A	N/A	
62	1210C-139	1210C-139	1210C-221	1210C-301	N/A	N/A	N/A	N/A	
64	1210C-139	1210C-221	1210C-221	1210C-301	N/A	N/A	N/A	N/A	
66	1210C-139	1210C-221	1210C-221	1210C-301	N/A	N/A	N/A	N/A	
68	1210C-139	1210C-221	1210C-221	1210C-301	N/A	N/A	N/A	N/A	
70	1210C-139	1210C-221	1210C-301	1210C-301	N/A	N/A	N/A	N/A	
72	1210C-139	1210C-221	1210C-301	1210C-301	N/A	N/A	N/A	N/A	
74	1210C-139	1210C-221	1210C-301	N/A	N/A	N/A	N/A	N/A	
76	1210C-139	1210C-221	1210C-301	N/A	N/A	N/A	N/A	N/A	
78	1210C-139	1210C-221	1210C-301	N/A	N/A	N/A	N/A	N/A	
80	1210C-139	1210C-221	1210C-301	N/A	N/A	N/A	N/A	N/A	

Technical Specifications

	1210M 4-ROW 430/436/438/440	1210M 6-ROW 630/636/638/640	1210M 8-ROW RIGID 830R/836R/838R/840R	1210M 8-ROW FOLDING 830F/836F/838F/840F	1210M 12-ROW 1230/1236/1238/1240	1210M 16-ROW 1630
Transport Height	6'5" (2 m)	6'5" (2 m)	6'5" (2 m)	11'9"/12'/12'2"/12'1" (3.6/3.7/3.7/3.7 m)	12'4"/12'4"/12'4"/12'4" (3.7/3.7/3.7/3.7 m)	12'4" (3.7 m)
Transport Width	10'/ 11'11" /11'11"/11'11" (3.1/3.7/3.7/3.7 m)	14'4"/16'10"/17'8"/18'6" (4.3/5.1/ 5.3/5.6 m)	19'4"/22'10"/24'/25'2" (5.9/7/7.3/7.7 m)	13' 9"/14'7"/14'11"/15'3" (4.2/4.4/4.5/4.6 m)	16'10"/19'10"/20'10"/21'10" (5.1/6.0/6.3/6.7 m)	22'1" (6.8 m)
Frame Type	Rigid	Rigid	Rigid	Folding	Folding	Folding
Number of Row Units	4	6	8	8	12	16
Row Spacing	30"/36"/38"/40" (76/91/98/101 cm)	30"/36"/38"/40" (76/91/96/101 cm)	30"/36"/38"/40" (76/91/96/101 cm)	30"/36"/38"/40" (76/91/96/101 cm)	30"/36"/38"/40" (76/91/96/101 cm)	30" (76 cm)
Approximate Working Width	10'/12'/12'8"/13'4" (3/3.7/3.9/4.1 m)	15'/18'/19'/20' (4.6/5.5/5.8/6.1 m)	20'/24'/25'4"/26'8" (6.1/7.3/7.7/8.1 m)	20'/24'/25'4"/26'8" (6.1/7.3/7.7/8.1 m)	30'/36'/38'/40' (9.1/11/11.6/12.2 m)	40' (12.2 m)
Weight	4,688/4,799/4,799/4,803 lbs (2 117/2 177/2 177/2 179 kg)	6,556/6,575/6,602/6,629 lbs (2 974/2 982/2 995/3 007 kg)	8,113/8,235/8,273/9,253 lbs (3 680/3 735/3 753/4 197 kg)	8,884/9,112/9,187/9,253 lbs (4 030/4 133/4 167/4 197 kg)	13,071/13,441/13,557/13,764 lbs (5 929/6 097/6 149/6 243 kg)	16,965 lbs (7 695 kg)
Standard Equipment	CAT 3 / CAT 3N		CAT 3 / CAT 3N			CAT 4 / CAT 4N
Hitch Type	3-PT Mounted, 7" x 7" Double Beam Toolbar Frame		3-PT Mounted, 7" x 7" Double Beam Toolbar Frame			
Depth Control	Fixed Frame with Adjustable Shanks		Fixed Frame with Adjustable Shanks			
Hydraulics	Not Applicable		Not Applicable	(2) 3.5" x 20" Cylinders, Male ISO Couplers on Hydraulic Hoses	(2) 4" x 24" Cylinders, Male ISO Couplers on Hydraulic Hoses	
Gauge Wheels	(2) Adjustable 20.5 x 8" Load Range E	(2) Adjustable 20.5 x 8" Load Range E	(2) Adjustable 20.5 x 8" Load Range E	(2) Adjustable 20.5 x 8" Load Range E	(2) Adjustable 20.5 x 8" Load Range E	(2) Adjustable 20.5 x 8" Load Range E
Transport Locks and Safety	Slow Moving Vehicle Sign, Transport Light Kit		Slow Moving Vehicle Sign, Transport Light Kit			
Optional Equipment	Not Applicable		Not Applicable	(2) Adjustable 20.5" x 8" Load Range E		
Wing Gauge Wheels	Not Applicable		Not Applicable	(2) Adjustable 20.5" x 8" Load Range E		
Rear Hitch	Hitch for Liquid or NH3 Tank or Steerable Cart		Hitch for Liquid or NH3 Tank or Steerable Cart			
Montag Manufacturing	Steerable Cart 3.5-Ton Dry Fertilizer System	Steerable Cart 1,200 Gallon Liquid Tank, 3.5- or 6-Ton Dry Fertilizer System	Steerable Cart 1,200 or 1,700 Gallon Liquid Tank, 6- or 9-Ton Dry Fertilizer System			
Operation	5 - 8 mph (8 - 13 km/h)		5 - 8 mph (8 - 13 km/h)			
Recommended Operating Speed	6" - 12" (15.2 - 30.5 cm)		6" - 12" (15.2 - 30.5 cm)			
Recommended Operating Depth	23 - 30 ENG HP/Row (17 - 22 kW/Row)		23 - 30 ENG HP/Row (17 - 22 kW/Row)			
Recommended Tractor Power Range	For more machine specifications, please visit www.kuhn.com					

For more machine specifications, please visit www.kuhn.com

GLADIATOR® 1210M ADDITIONAL FEATURES



REAR HITCH

The rear hitch option is available for customers who want to pull nurse carts for liquid or anhydrous fertilizer. The rear hitch features an extendable tongue and attached winch to enable one person to easily connect nurse carts.



REAR LIFT ASSIST

Rear lift assist provides support on larger 3-point units where tractor linkage capacity is at its limit. The lift assist is plumbed to the tractor 3-point so it is automatically activated when raising or lowering the toolbar.

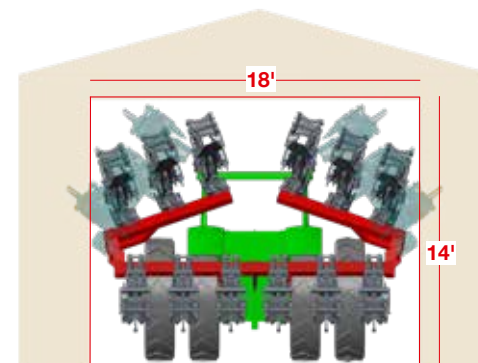


KEVLAR GAUGE WHEELS

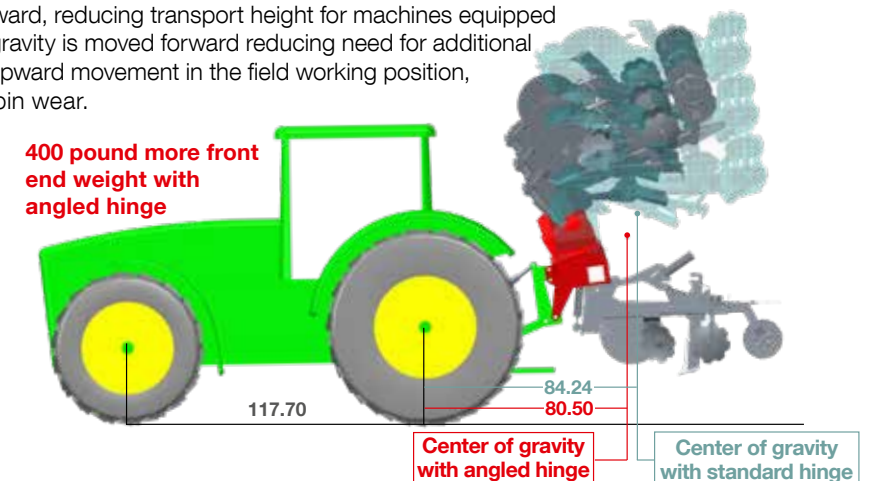
Kevlar gauge wheels are available for 3-point toolbars for increased durability in tough stalks.

THE ANGLED HINGE ADVANTAGE

The unique angled hinge allows wing sections to fold forward, reducing transport height for machines equipped with Spring Reset row units. When folded, the center of gravity is moved forward reducing need for additional tractor ballast and increasing stability. The hinge resists upward movement in the field working position, thereby helping to maintain target depth, reducing pivot pin wear.



Passes easily through standard 18' x 14' doors



Strip-till machine with standard hinge and spring reset row units
GLADIATOR® 1210M-1230 with angled hinge and spring-reset row units

MyKUHNS

THE LINK TO MY SUCCESS

MyKUHNS is your online customer portal where you can access machine operator's manuals, parts catalog and more! The site is available on computer, phone or tablet, so you can access your fleet's information anywhere around the farm. Create an account and register your KUHN equipment today!



MORE PRODUCTS TO MEET YOUR NEEDS!



1. Mowers - 2. Tedders - 3. Round Balers - 4. Bale Processors - 5. Manure Spreaders - 6. Primary Tillage Systems

KUHN NORTH AMERICA, INC. | Corporate Headquarters | 1501 West Seventh Avenue - Brodhead, WI 53520

For more information about your nearest KUHN dealer, visit our website www.kuhn.com

Information given in this document is only for informational purposes and is non-contractual. Our machines are in compliance with North American safety standards. In our literature, and for improved illustration of certain details, some safety devices may not be in operating position. When operating these machines, these devices must be operated in accordance with the requirements indicated in the operator's manuals and assembly manuals. We reserve the right to change any designs, specifications or materials listed without further notice. Machines and equipment in this document can be covered by at least one patent and/or registered design. Trademarks cited in this document may be registered in one or several countries.

Printed in USA QP1210US 0722 Copyright 2022 Kuhn North America, Inc.

